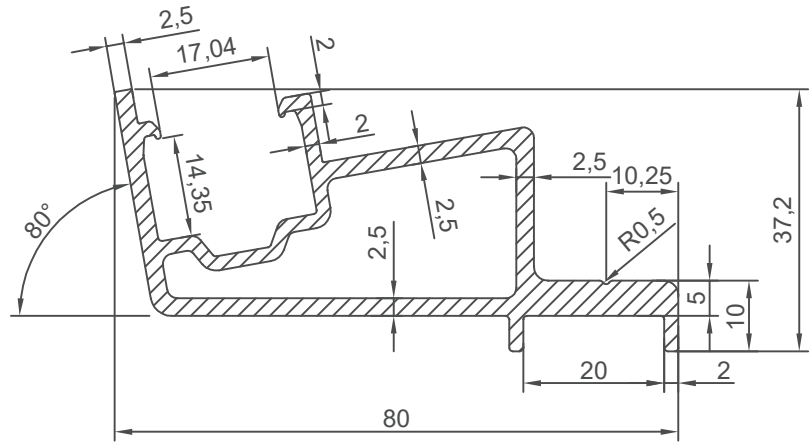




Mark	Modify The Content	Sign	Date



Product requirement:

1. The surface is flat and natural color anodized, and the film thickness is 10 μm;
2. Hardness requirement: HW12~16;
3. Keep the surface clean and free from scratches, scratches, sharp edges, burrs, dirt, etc.;
4. Tolerances not marked are in accordance with (GB/T 1804-2000) tolerance level m (medium level).

Size	0.5~6	>6~30	>30~120	>120~400
Tolerance	±0.1	±0.2	±0.3	±0.5

Title	--	Part No.	ERK-BUF	Version	V1.0
Mould number	AN-01	Material	AL6005-T5	Finish	阳极氧化
Design		Chk'D		Appv'D	
 ENERACK Xiamen Enerack Technology Co., Ltd.				View	
				Scale	1:1
				Unit	mm