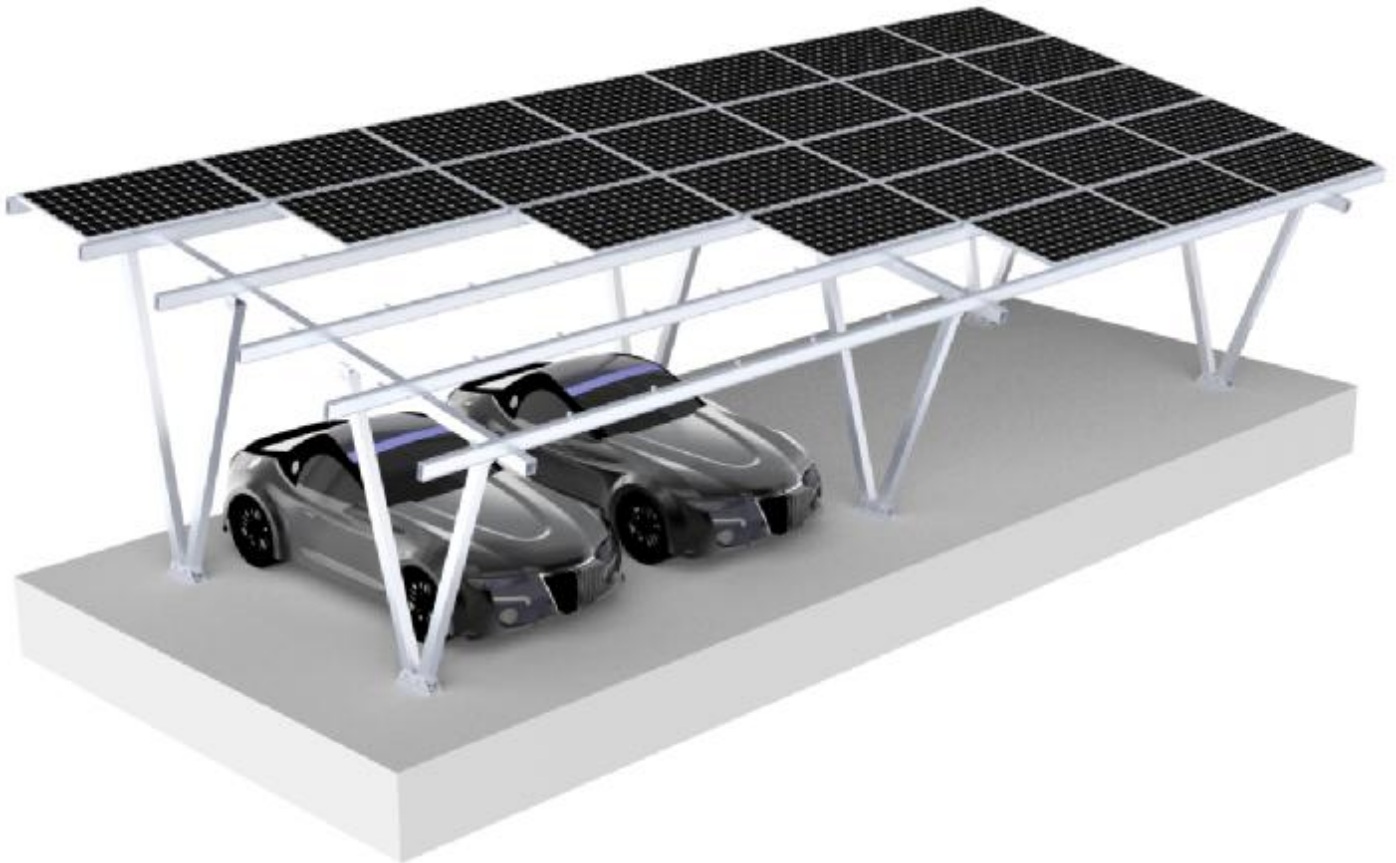
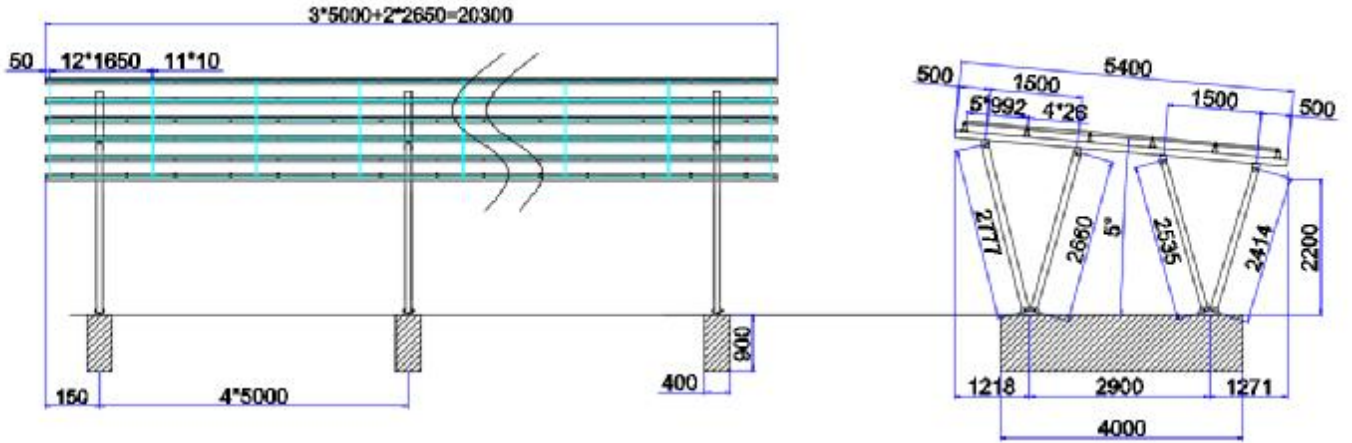




Carpot Systems installation manual



Engineering drawing:



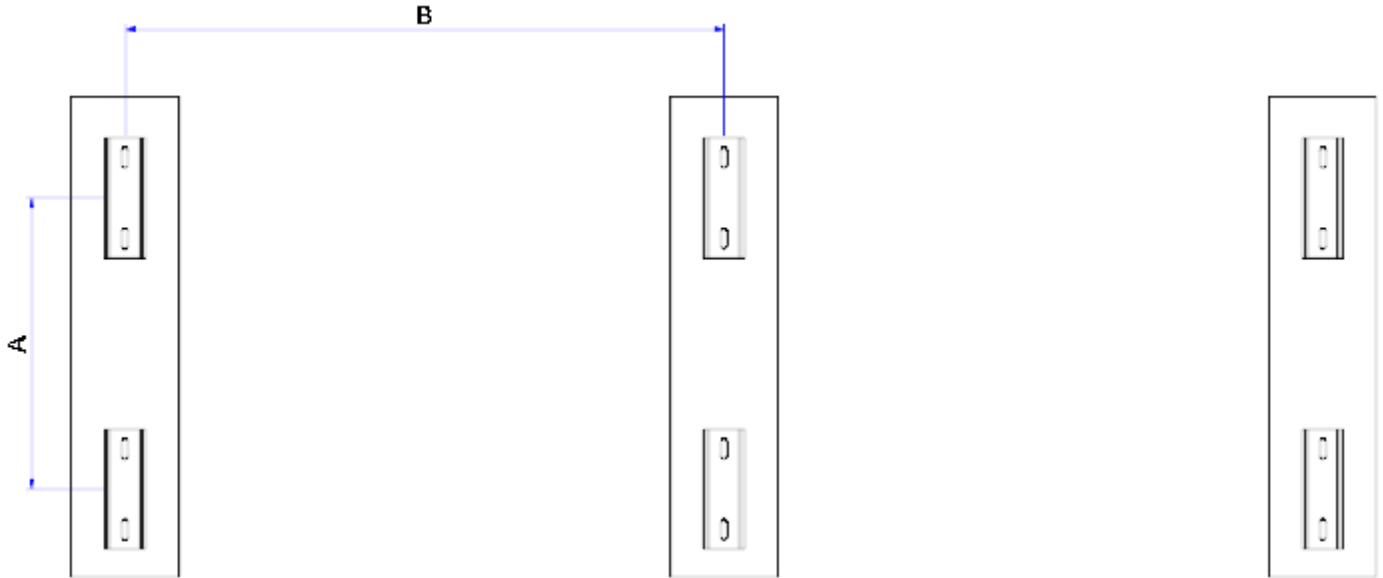
Installation tool



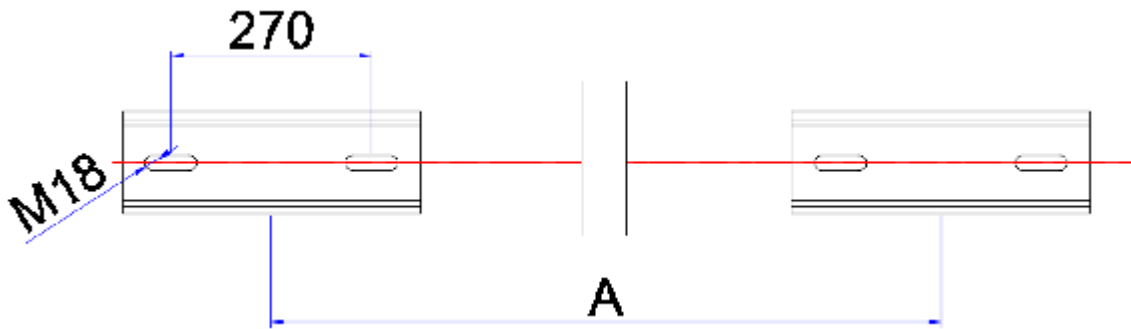
Install Step:

Positioning foundation.

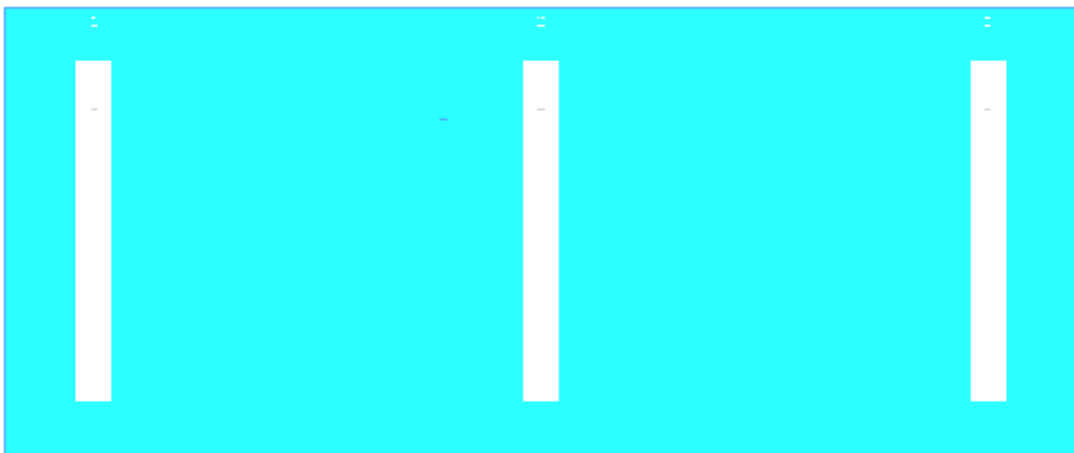
According to the drawing, confirm the foundation space.



Foundation (vertical view)

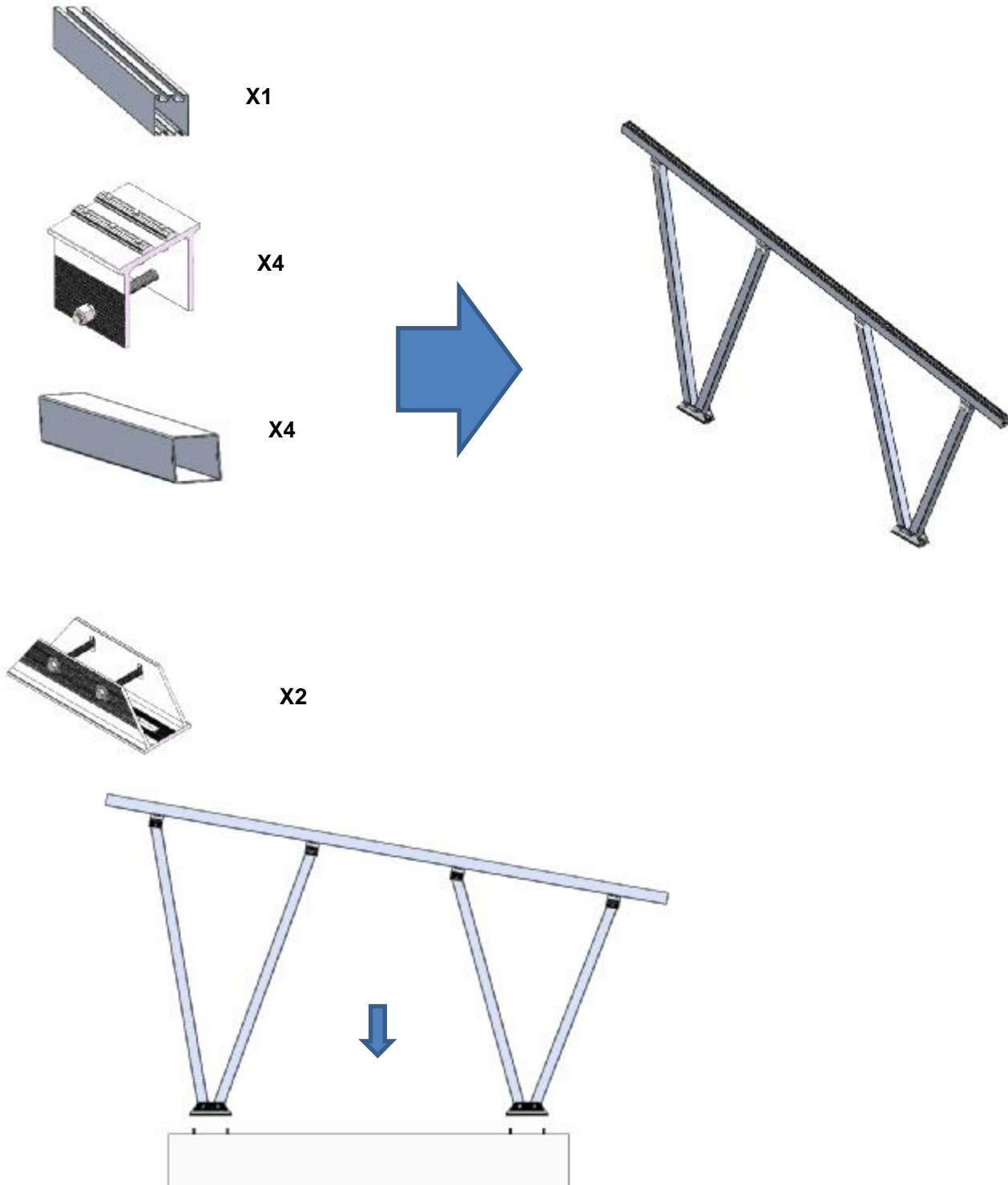


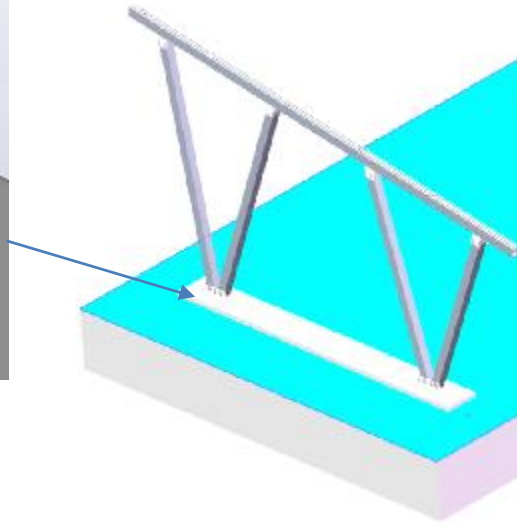
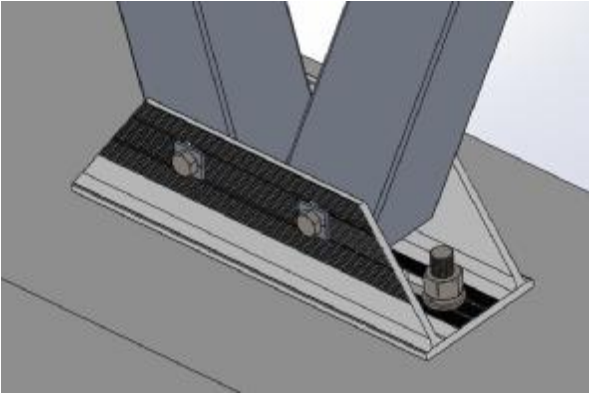
Foundation

Foundation finished as below

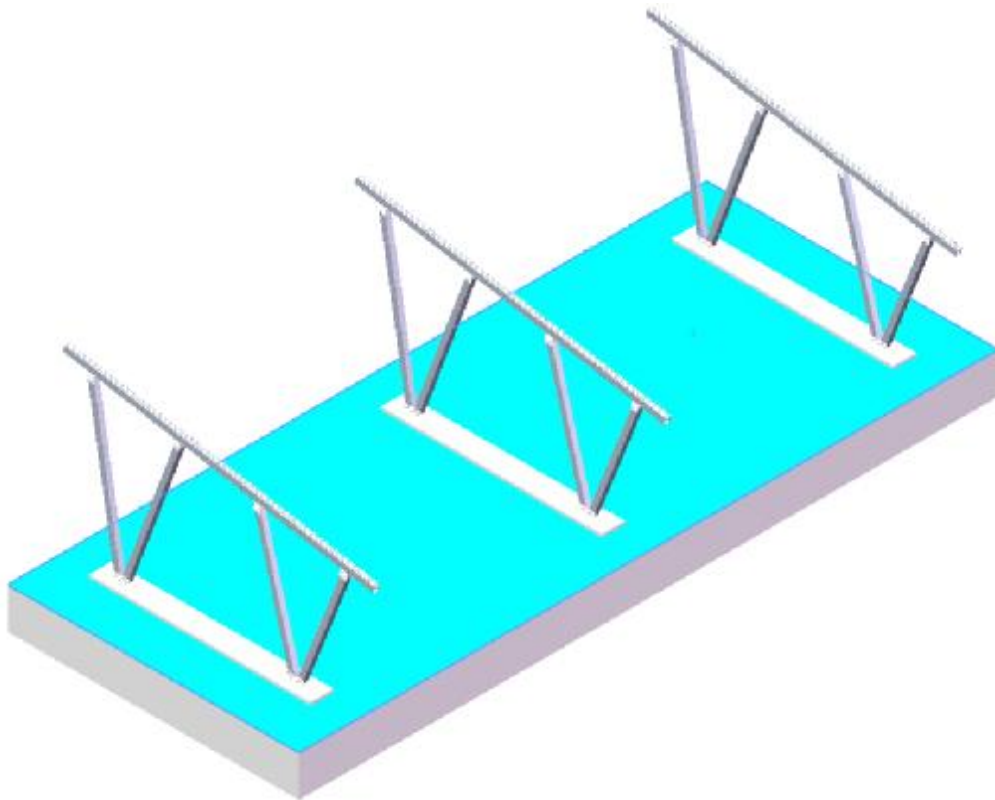
Installing Pre-assembled Leg:

Unfasten the pre-assembled leg.



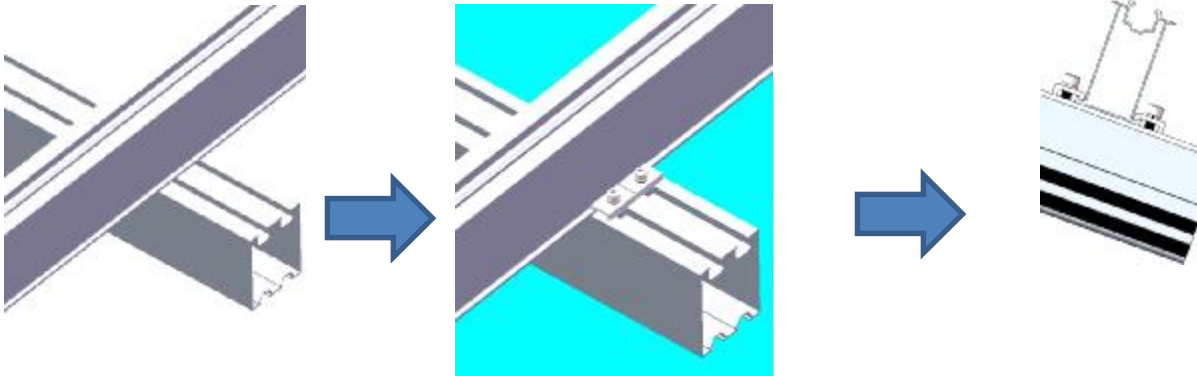


Repeat the above operation in accordance with the planned array layout.

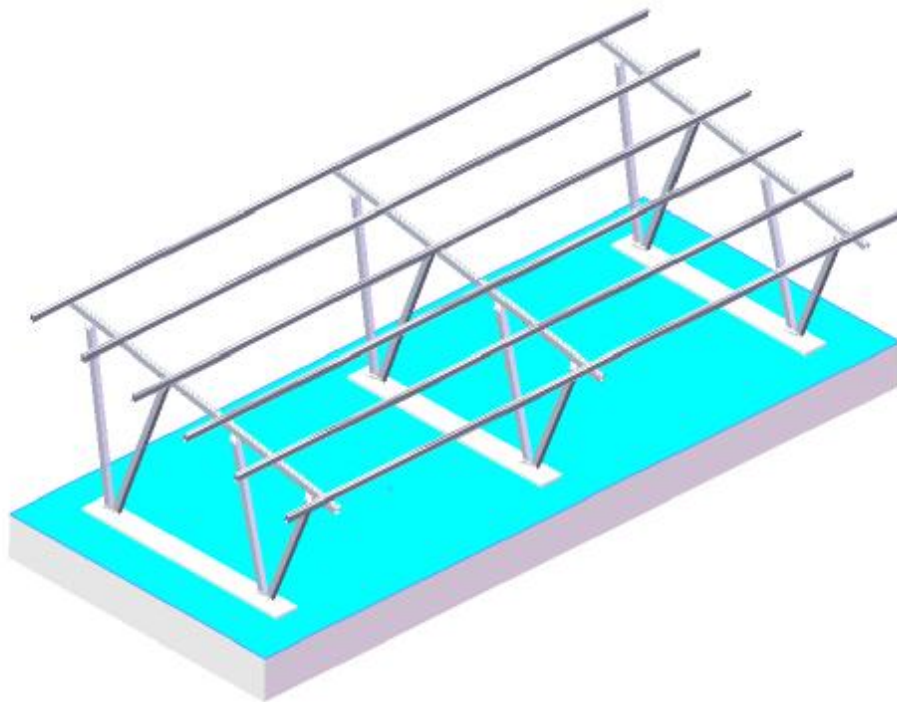
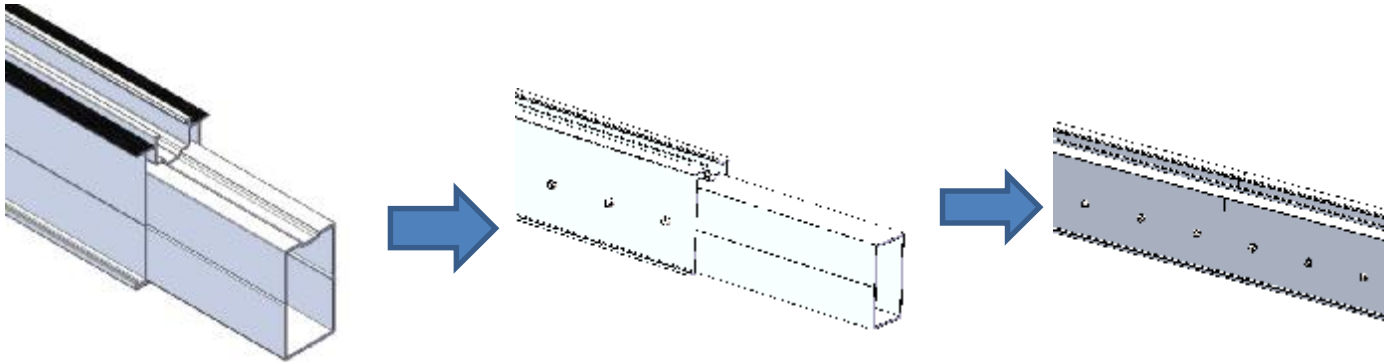


Installing Cross Rail

Place the Rails onto main beam, fixed the rail with rail clamps.



Rail connect use ST5.5X19 tapping screw fixed:



Installing Solar panel

